

## Flat Round Washer

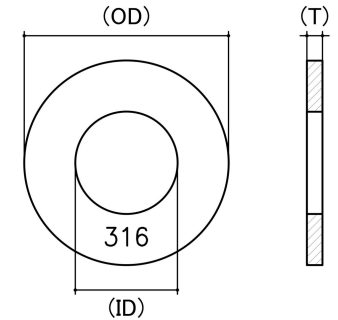
**Material:** Stainless Steel

**Class Grade:** A4-70 G316

**Corrosion Protection Level:** Ultimate

**Standard:** HEC Standard

**System Of Measurement:** Metric



*CAD drawings shown for graphic representation only.\**

Industry Size	Inside Dimension (ID) (mm)		Outside Dimension (OD) (mm)		Thickness (T) (mm)		sku (qfind)
	Min	Max	Min	Max	Min	Max	
M2 x 5 x 0.3	2.10	2.40	4.80	5.00	0.30	0.35	71S25M
M2.5 x 6.5 x 0.5	2.60	2.90	6.20	6.50	0.40	0.50	71S2565M
M3 x 7 x 0.5	3.10	3.50	6.70	7.00	0.50	0.70	71S37M
M3.5 x 8 x 0.5	3.60	4.00	7.70	8.00	0.50	0.70	71S3.5805M
M4 x 9 x 0.8	4.10	4.60	8.70	9.00	0.80	1.00	71S49M
M5 x 10 x 0.8	5.10	5.50	9.70	10.00	0.80	1.00	71S510M
M6 x 12.5 x 1.2	6.10	6.80	12.20	12.50	1.10	1.30	71S612M
M8 x 17 x 1.2	8.50	9.20	16.70	17.00	1.10	1.30	71S817M
M10 x 20 / 21 x 1.2	10.20	10.75	19.50	20.30	1.10	1.30	71S1021M
M12 x 24 x 1.5	13.00	14.00	23.60	24.00	1.40	1.80	71S1224M
M14 x 28 x 1.5	15.10	15.60	27.60	28.00	1.40	1.80	71SM1428M
M16 x 30 x 1.5	17.00	17.60	29.60	30.00	1.30	1.50	71S1630M
M18 x 34 x 2	19.00	19.60	33.40	34.00	1.80	2.20	71SM1834M
M20 x 37 x 2	20.90	22.10	36.40	37.00	1.80	2.20	71S2037M
M22 x 39 x 2.5	22.30	24.00	38.40	39.00	2.20	2.50	71S2239M

Industry Size	Inside Dimension (ID) (mm)		Outside Dimension (OD) (mm)		Thickness (T) (mm)		sku (qfind)
	Min	Max	Min	Max	Min	Max	
M24 x 44 x 3	24.50	26.50	43.50	44.00	2.70	3.00	71S2444M
M27 x 50 x 3	27.50	29.50	49.50	50.00	2.70	3.00	71S2750M
M30 x 56 x 3	31.20	33.00	55.50	56.00	2.70	3.00	71S3056M
M33 x 60 x 3	33.50	36.00	59.50	60.00	2.70	3.00	71S3360M

**Disclaimer:**

Dimensional data and technical information was obtained from publically available sources and not acquired through standard agencies. It has been completed and compiled for reference purposes only; where discrepancies are found they are subject to change without notice. Bolt & Nut Australia makes no warranties or representations regarding the accuracy and validity of the compiled information and data. Contact the relevant standard authorities for accurate and detailed information.

\* CAD drawings may not reflect diameter, thread length or overall length.

© Bolt & Nut Australia Pty Ltd. All rights reserved.

Version: 18 Mar 2024